

**PART NUMBER CODING**

**MATERIAL (INSULATOR / CONTACT)**  
(SEE MATERIAL TABLE)

**PLATING**

ALL PLATINGS HAVE .000050" MIN NICKEL UNDERPLATE

CONTACT SURFACE	TERMINATION
B = .000010" GOLD	.000100" PURE TIN, MATTE
C = .000030" GOLD	.000100" PURE TIN, MATTE
G = .000010" GOLD	.000005" GOLD
E = .000100" PURE TIN, MATTE OVERALL	
S = .000010" GOLD OVERALL	
M = .000030" GOLD	.000010" GOLD OVERALL

**MODIFICATION**

M30 = SURFACE MOUNT  
M508 = SAME AS M30 WITH BROWN PPS (MATERIAL CODE 'R' ONLY)  
M596 = SAME AS M30 WITH WHITE PA9T (MATERIAL CODE 'G' ONLY)

**TERMINATION TYPE**

**NUMBER OF POSITIONS PER ROW**

(01 THRU 36)

**MATERIAL TABLE**

LETTER CODE	INSULATOR / CONTACT	OPERATING TEMP.	PROCESSING TEMP.	MODIFICATION NUMBER
G	BLACK PA9T / PHOSPHOR BRONZE	-65°C TO +150°C	260°C MAX FOR 10 SECS	M30
G	WHITE PA9T / PHOSPHOR BRONZE	-65°C TO +150°C	260°C MAX FOR 10 SECS	M596
*R	GREEN PPS / PHOSPHOR BRONZE**	-65°C TO +200°C	260°C MAX FOR 20 SECS	M30
*R	BROWN PPS / PHOSPHOR BRONZE**	-65°C TO +200°C	260°C MAX FOR 20 SECS	M508
*Q	TAN PEEK / PHOSPHOR BRONZE**	-65°C TO +250°C	260°C MAX FOR 20 SECS	M30

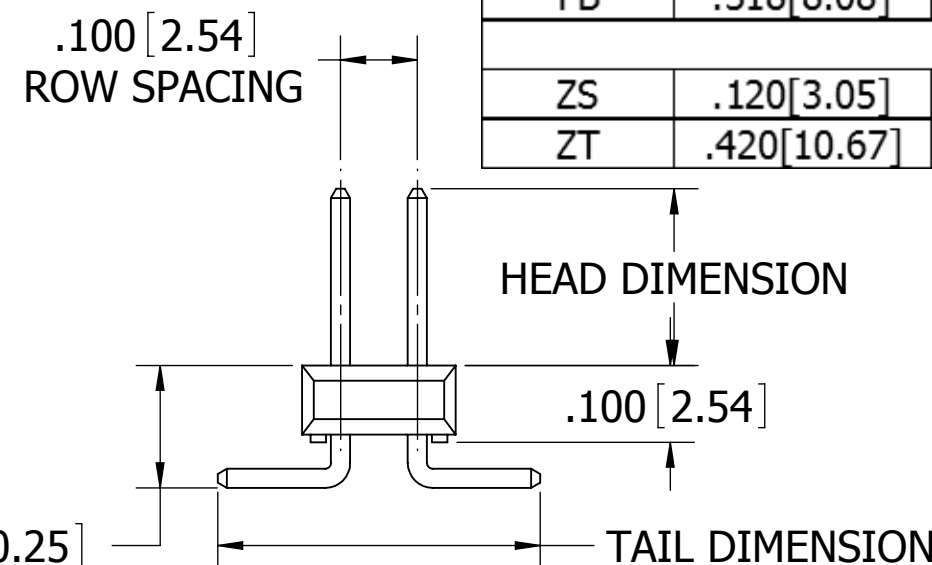
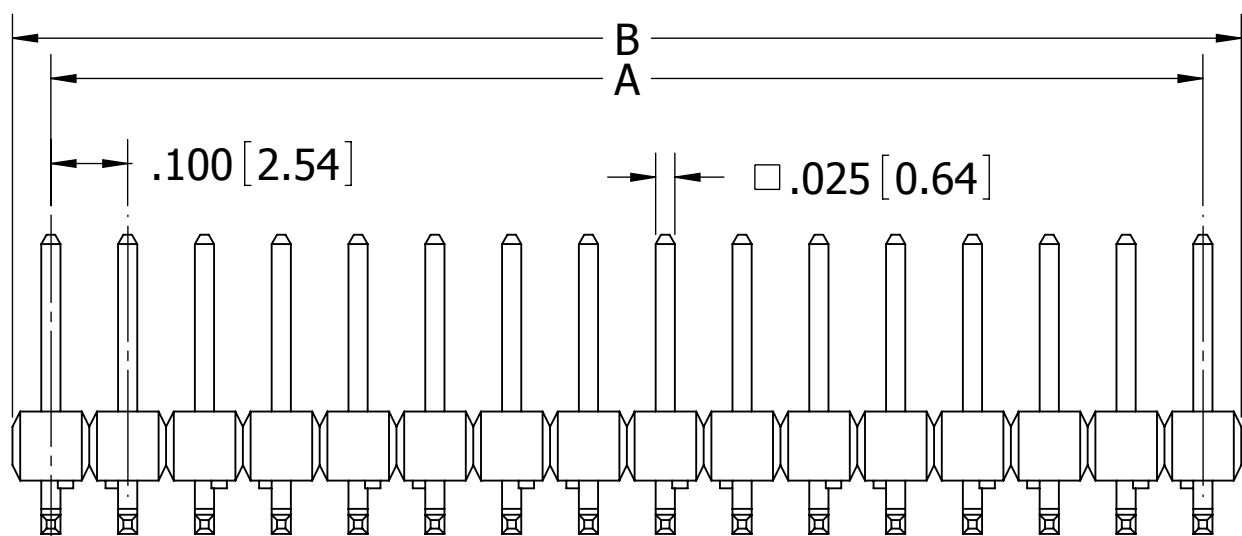
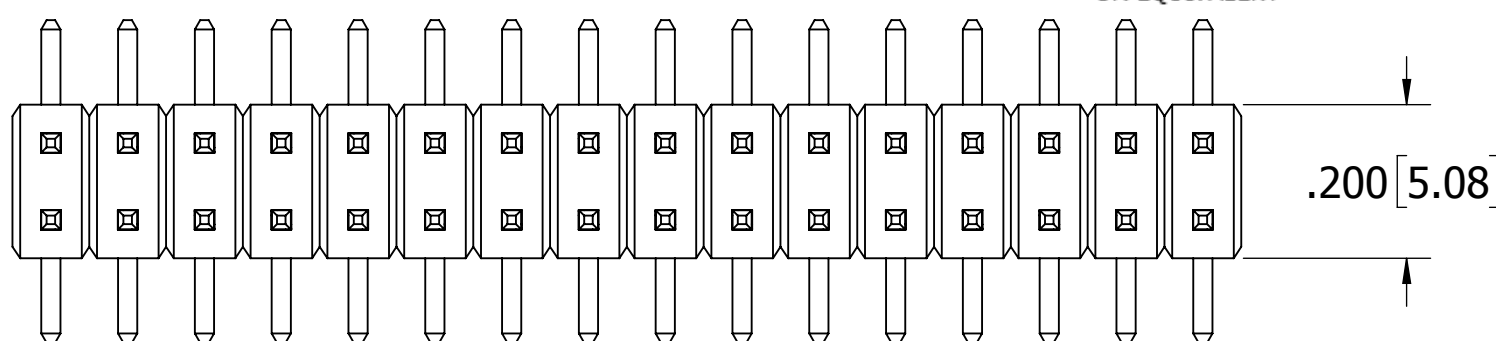
\* AVAILABLE WITH OVERALL GOLD PLATING ('M') ONLY  
\*\* OR EQUIVALENT

REVISIONS				
REV.	ECO. NO.	DESCRIPTION	DATE	BY
F	2442	UPDATE PROCESSING TIME, VOLTAGE RATING, REMOVE MOISTURE NOTE	2/9/2012	JH
G	2743	ADD PLATING OPTIONS, UPDATE BODY SHAPE, ADD HIGH TEMP MATERIALS	1/28/2014	JHSU
H	3574	ADD M596 MODIFICATION CODE, REVISE MATERIAL CODING	5/8/2017	MG

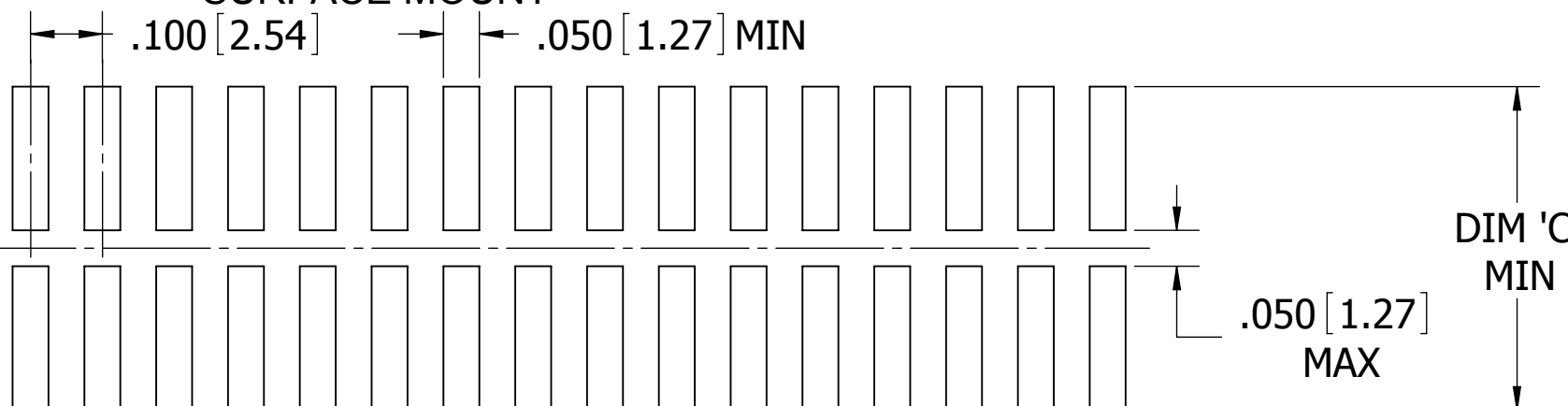
PART NUMBER	A		B	
	INCH	MM	INCH	MM
C01D_N-M	±0.008	±0.20	±0.100	±2.54
C02D_N-M	0.100	2.54	0.200	5.08
C03D_N-M	0.200	5.08	0.300	7.62
C04D_N-M	0.300	7.62	0.400	10.16
C05D_N-M	0.400	10.16	0.500	12.70
C06D_N-M	0.500	12.70	0.600	15.24
C07D_N-M	0.600	15.24	0.700	17.78
C08D_N-M	0.700	17.78	0.800	20.32
C09D_N-M	0.800	20.32	0.900	22.86
C10D_N-M	0.900	22.86	1.000	25.40
C11D_N-M	1.000	25.40	1.100	27.94
C12D_N-M	1.100	27.94	1.200	30.48
C13D_N-M	1.200	30.48	1.300	33.02
C14D_N-M	1.300	33.02	1.400	35.56
C15D_N-M	1.400	35.56	1.500	38.10
C16D_N-M	1.500	38.10	1.600	40.64
C17D_N-M	1.600	40.64	1.700	43.18
C18D_N-M	1.700	43.18	1.800	45.72
C19D_N-M	1.800	45.72	1.900	48.26
C20D_N-M	1.900	48.26	2.000	50.80
C21D_N-M	2.000	50.80	2.100	53.34
C22D_N-M	2.100	53.34	2.200	55.88
C23D_N-M	2.200	55.88	2.300	58.42
C24D_N-M	2.300	58.42	2.400	60.96
C25D_N-M	2.400	60.96	2.500	63.50
C26D_N-M	2.500	63.50	2.600	66.04
C27D_N-M	2.600	66.04	2.700	68.58
C28D_N-M	2.700	68.58	2.800	71.12
C29D_N-M	2.800	71.12	2.900	73.66
C30D_N-M	2.900	73.66	3.000	76.20
C31D_N-M	3.000	76.20	3.100	78.74
C32D_N-M	3.100	78.74	3.200	81.28
C33D_N-M	3.200	81.28	3.300	83.82
C34D_N-M	3.300	83.82	3.400	86.36
C35D_N-M	3.400	86.36	3.500	88.90
C36D_N-M	3.500	88.90	3.600	91.44

TERMINATION TYPE SURFACE MOUNT		
CODE	HEAD DIMENSION	TAIL DIMENSION
	±.008[0.20]	±.025[0.64]
AB	.230[5.84]	.420[10.67]
FB	.318[8.08]	.400[10.16]
ZS	.120[3.05]	.300[7.62]
ZT	.420[10.67]	.300[7.62]

TERMINATION TYPE	DIM 'C' (MIN)
AB	.450 [11.43]
FB	.430 [10.92]
ZS	.330 [8.38]
ZT	.330 [8.38]



C D N - M30  
C D N - M508  
C D N - M596  
SURFACE MOUNT



RECOMMENDED PCB LAYOUT

- NOTES:
- INSULATOR MATERIAL: SEE PART NUMBER CODING
  - CONTACT MATERIAL: SEE PART NUMBER CODING
  - PLATING: SEE PART NUMBER CODING
  - UL FLAMMABILITY RATING: 94V-0
  - DIELECTRIC WITHSTANDING VOLTAGE: 1800 VAC
  - CURRENT RATING: 3 AMPS
  - CONTACT RESISTANCE: 30 MILLIOHMS MAX.
  - INSULATION RESISTANCE: 5000 MEGOHMS MIN.
  - MODIFICATION: SEE PART NUMBER CODING



UNLESS OTHERWISE SPECIFIED: DIMENSIONS ARE IN INCHES [MM]

TOLERANCES:  
ANGULAR: ± 1°  
DECIMALS  
.XX = ± .02 [.5]  
.XXX = ± .005 [.13]  
.XXXX = ± .0005 [.013]

**CUSTOMER COPY**

DRAWN: 9/8/2011 JH

DATE: 9/8/2011

NAME: JH

**SULLINS CONNECTOR SOLUTIONS**

TITLE: HEADER .100" CC

PART NUMBER: C D N-(M30,M508,M596)

SIZE: C

CAGE CODE: 54453

DWG. NO.: C10059

REV: H

SCALE: 5:1

SHEET 1 OF 1